



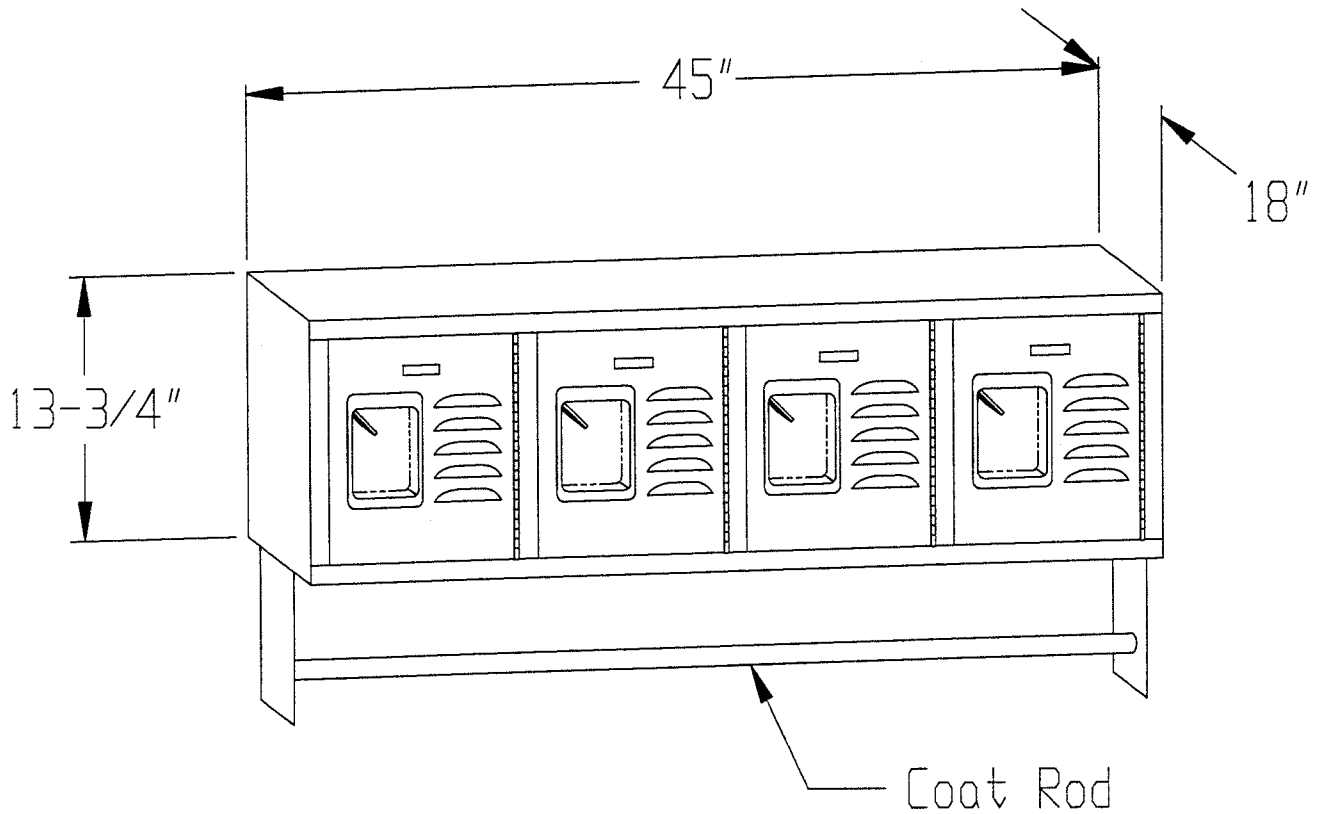
ASI STORAGE SOLUTIONS INC.

4444 Delp Street Memphis, TN 38118
Tel: 901-312-6195 Fax: 901-312-6197
Website: www.asilockers.com
E-mail: info@asilockers.com

**SPECIALTY
TRADITIONAL**

WALL MOUNT

DATE ISSUED: 08-08





ASI STORAGE SOLUTIONS INC.

4444 Delp Street Memphis, TN 38118
Tel: 901-312-6195 Fax: 901-312-6197
Website: www.asilockers.com
E-mail: info@asilockers.com

**SPECIALTY
TRADITIONAL**

WALL MOUNT

DATE ISSUED: 08-08

SPECIFICATION

Material - All major steel parts shall be of mild cold rolled commercial quality steel.

Finish - All material shall be power washed and phosphate treated for maximum finish color adhesion. All components shall be finished with a hybrid epoxy/polyester powder, electrostatically applied to ensure uniform thickness and baked to cure.

Construction - All lockers shall be built on a unit principle with common intermediate uprights separating units.

Door Frames - Shall be 16 gauge formed in a channel shape. Vertical members shall have additional flange to provide a continuous door strike.

Doors - Shall be 16 gauge with five louvers per door for ventilation. Doors are channel shaped on both the lock and hinge side with angle formations across the top and bottom.

Body - Top, sides, back and bottom shall be 24 gauge. Bolt spacing shall not exceed 9" o.c.

Hinges - Shall be full length 16 gauge continuous piano type riveted to both door and frame.

Handles - Shall be one-piece 20 gauge deep drawn stainless steel cup designed to accommodate locks.

Latching - Lockers shall have an 11 gauge frame hook secured to the frame. The frame hook shall have a padlock hasp protruding through the recessed handle. A rubber silencer shall be firmly secured to the frame at each latch hook.

Equipment - 45" coat rod mounted under locker.

Number Plates - Each locker shall have a polished aluminum number plate riveted to door face with black numerals 1/2" high.

Color - Doors and exposed body parts shall be selected from ASI's standard designer color range. Non-exposed body parts shall be finished in #03 Almond.

Assembly - All locker components shall be assembled with rivets.

Installation - Lockers shall be installed in accordance with ASI's installation instructions and shall be level and plumb with flush surfaces and rigid attachment to anchoring surfaces.