



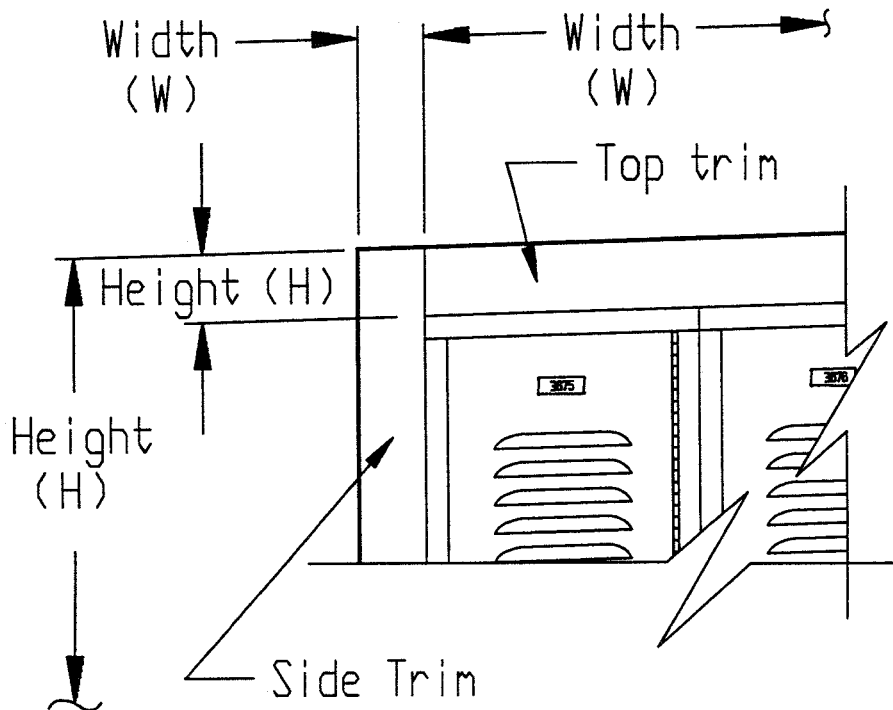
ASI STORAGE SOLUTIONS INC.

4444 Delp Street Memphis, TN 38118
 Tel: 901-312-6195 Fax: 901-312-6197
 Website: www.asilockers.com
 E-mail: info@asilockers.com

TRIM

RECESS

DATE ISSUED: 08-08



SIZE (inches)	
W	H
SIDE TRIM LEFT HAND	
3	63
3	75
SIDE TRIM RIGHT HAND	
3	63
3	75
TOP TRIM	
74	3
SPLICE	
2	3

SPECIFICATION

Recess Trim shall be 18 gauge sheet steel, powder coated to match the color of the lockers. Trim shall have a 3 inch face and shall be attached to the lockers with concealed clips. Finished caps and end caps shall be provided as required.