



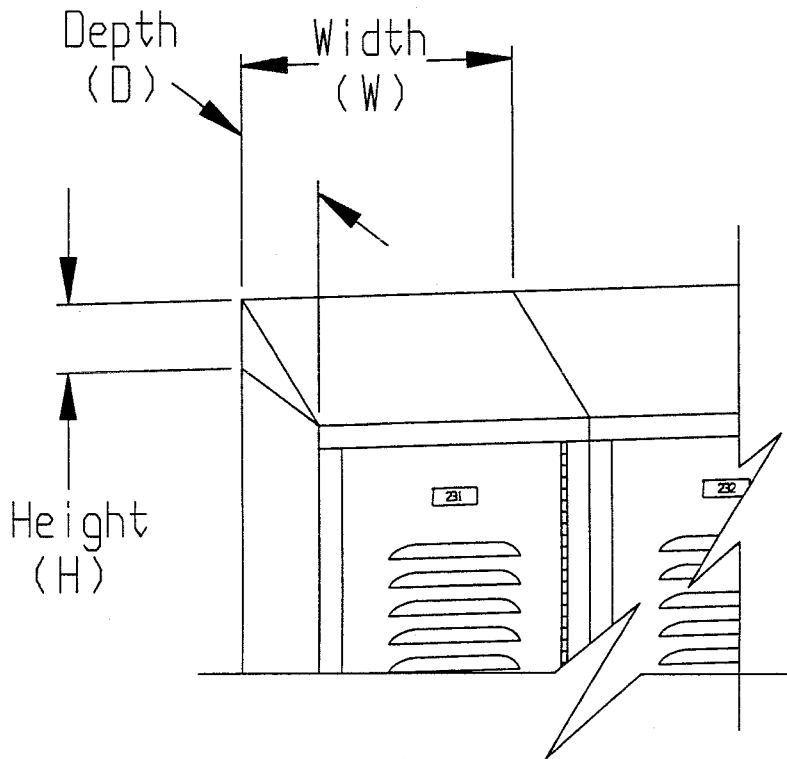
ASI STORAGE SOLUTIONS INC.

4444 Delp Street Memphis, TN 38118
Tel: 901-312-6195 Fax: 901-312-6197
Website: www.asilockers.com
E-mail: info@asilockers.com

SLOPE TOP

INDIVIDUAL

DATE ISSUED: 08-08



SIZE (inches)		
W	D	H
12	12	4
12	15	5
12	18	6
15	15	5
15	18	6
18	18	6

SPECIFICATION

Individual slope tops shall be 24 gauge sheet steel, powder coated to match the color of the lockers. Tops shall be formed to a slope which rises 1/3 of the locker depth.