



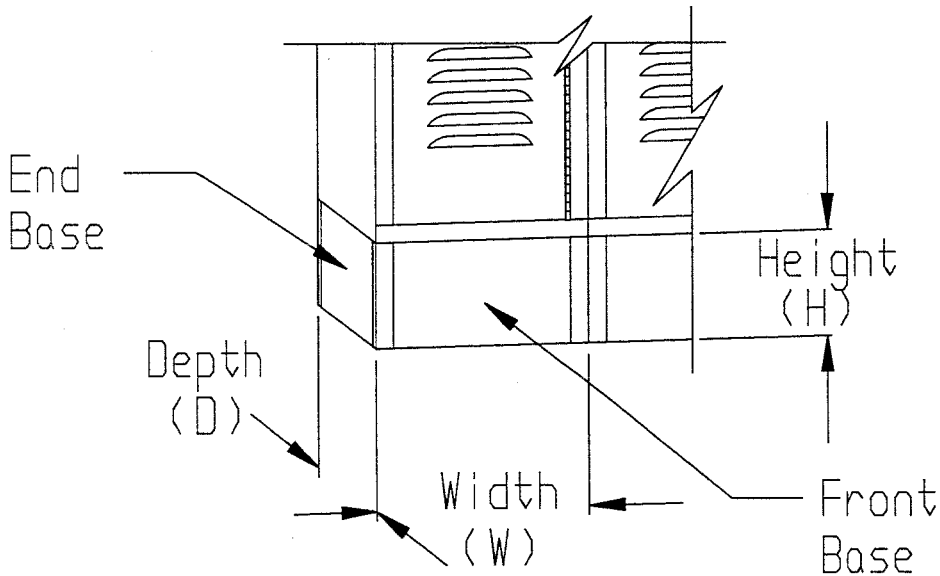
# ASI STORAGE SOLUTIONS INC.

4444 Delp Street Memphis, TN 38118  
 Tel: 901-312-6195 Fax: 901-312-6197  
 Website: www.asilockers.com  
 E-mail: info@asilockers.com

## BASES

### FRONT & CLOSED END

DATE ISSUED: 08-08



SIZE (inches)	
FRONT BASE	
W	H
12	6
15	6
18	6
24	6
CLOSED END BASE	
D	H
12	6
15	6
18	6
21	6
24	6

### SPECIFICATION

Front Base and Closed End Base shall be 18 gauge sheet steel, powder coated to match the color of the lockers. Front bases shall be installed between front legs without overlap or exposed fasteners. End bases shall be installed between front and rear legs of lockers at the end of a row.