



ASI STORAGE SOLUTIONS

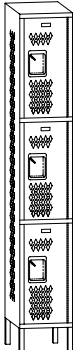
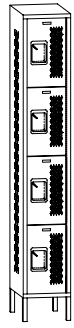

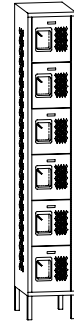
2171 Liberty Hill Road, Eastanollee, GA 30538

Phone: 706.827.2701

Fax: 706.827.2710

Website: www.asilockers.com

E-Mail: info@asilockers.com

Competitor 14 gauge perforated doors, 16 gauge frames and bottoms, with recessed handles, full length piano hinges, and legs. PRICE BY FRAME	Size (Inches) W x D x H	Starter Lockers			Adder Lockers		
		Model No.	Price	Wt. (lbs.)	Model No.	Price	Wt. (lbs.)
 <p>Three Tier</p>  <p>Four Tier</p>  <p>Five Tier</p>  <p>Six Tier</p>	Competitor - Double Tier (continued)						
	18x21x78	32182178	434.70	125	32182178A	408.60	105
	18x24x78	32182478	457.25	135	32182478A	428.05	111
	24x18x78	32241878	489.50	135	32241878A	467.40	111
	24x21x78	32242178	510.10	140	32242178A	484.00	120
	24x24x78	32242478	532.65	155	32242478A	503.45	132
	Competitor - Three Tier						
	12x12x66	33121266	326.75	74	33121266A	312.50	64
	12x15x66	33121566	347.80	81	33121566A	330.45	69
	12x18x66	33121866	367.30	88	33121866A	347.40	74
	15x15x66	33151566	382.30	89	33151566A	364.90	76
	15x18x66	33151866	404.05	96	33151866A	384.20	82
	12x12x78	33121278	352.20	85	33121278A	337.30	73
	12x15x78	33121578	362.70	94	33121578A	343.80	79
	12x18x78	33121878	395.85	101	33121878A	373.75	84
	15x15x78	33151578	408.70	103	33151578A	389.75	88
	15x18x78	33151878	428.75	112	33151878A	406.65	94
	Competitor - Four Tier						
	12x12x66	34121266	286.00	74	34121266A	271.70	64
	12x15x66	34121566	306.95	81	34121566A	289.60	69
	12x18x66	34121866	327.65	88	34121866A	307.80	74
	15x15x66	34151566	340.00	89	34151566A	324.55	76
	15x18x66	34151866	360.00	96	34151866A	342.35	82
	12x12x78	34121278	310.80	85	34121278A	295.90	73
	12x15x78	34121578	328.60	94	34121578A	314.55	79
	12x18x78	34121878	345.70	101	34121878A	332.75	84
15x15x78	34151578	362.85	103	34151578A	348.85	88	
15x18x78	34151878	382.85	112	34151878A	395.35	94	
Competitor - Five Tier							
12x12x66	35121266	299.50	74	35121266A	285.25	64	
12x15x66	35121566	322.05	81	35121566A	304.70	69	
12x18x66	35121866	342.85	88	35121866A	326.45	74	
15x15x66	35151566	340.00	89	35151566A	332.25	76	
15x18x66	35151866	377.15	96	35151866A	359.65	82	
Competitor - Six Tier							
12x12x78	36121278	351.60	85	36121278A	336.65	73	
12x15x78	36121578	371.45	94	36121578A	354.00	79	
12x18x78	36121878	382.85	101	36121878A	370.05	84	
15x15x78	36151578	391.45	106	36151578A	378.55	91	
15x18x78	36151878	414.30	116	36151878A	399.70	98	

Welded Lockers Available -P.O.A.



ASI STORAGE SOLUTIONS

2171 Liberty Hill Road, Eastanollee, GA 30538

Phone: 706.827.2701

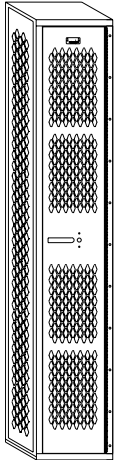
Fax: 706.827.2710

Website: www.asilockers.com

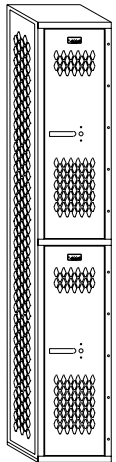
E-Mail: info@asilockers.com

Angle Iron Collection

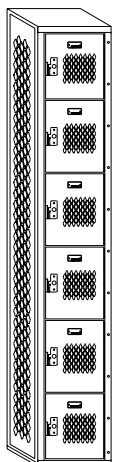
No base, no top, slope tops and bases to be same as regular welded lockers.



Single Tier



Double Tier



Six Tier

Size (Inches) W x D x H	Single Point Latch		Multi Point Latch		Cremone Latch	
	Model No.	Price	Model No.	Price	Model No.	Price
Angle Iron All Welded Locker - Single Tier						
12x12x60	AWS1121260	428.20	AWM1121260	430.20	AWC1121260	448.35
12x15x60	AWS1121560	458.45	AWM1121560	459.60	AWC1121560	478.55
12x18x60	AWS1121860	492.95	AWM1121860	495.00	AWC1121860	513.10
15x15x60	AWS1151560	499.20	AWM1151560	501.20	AWC1151560	519.35
15x18x60	AWS1151860	534.30	AWM1151860	534.30	AWC1151860	558.20
18x18x60	AWS1181860	568.55	AWM1181860	568.55	AWC1181860	594.30
12x12x72	AWS1121272	464.65	AWM1121272	466.65	AWC1121272	484.85
12x15x72	AWS1121572	494.30	AWM1121572	494.30	AWC1121572	520.00
12x18x72	AWS1121872	520.00	AWM1121872	520.00	AWC1121872	545.70
15x12x72	AWS1151272	518.85	AWM1151272	520.85	AWC1151272	538.75
15x15x72	AWS1151572	539.60	AWM1151572	541.60	AWC1151572	559.80
15x18x72	AWS1151872	560.00	AWM1151872	560.00	AWC1151872	585.70
18x18x72	AWS1181872	585.70	AWM1181872	585.70	AWC1181872	608.60
Angle Iron All Welded Locker - Double Tier						
12x12x60	AWS2121260	492.95	AWM2121260	494.90	AWC2121260	526.25
12x15x60	AWS2121560	515.30	AWM2121560	517.30	AWC2121560	548.70
12x18x60	AWS2121860	552.65	AWM2121860	554.64	AWC2121860	585.90
15x12x60	AWS2151260	543.25	AWM2151260	545.25	AWC2151260	576.75
15x15x60	AWS2151560	568.50	AWM2151560	570.50	AWC2151560	601.80
15x18x60	AWS2151860	599.95	AWM2151860	601.95	AWC2151860	633.35
18x18x60	AWS2181860	655.75	AWM2181860	657.75	AWC2181860	689.05
12x12x72	AWS2121272	521.60	AWM2121272	523.60	AWC2121272	554.95
12x15x72	AWS2121572	571.40	AWM2121572	573.40	AWC2121572	604.65
12x18x72	AWS2121872	600.75	AWM2121872	602.75	AWC2121872	634.15
15x12x72	AWS2151272	598.70	AWM2151272	600.10	AWC2151272	630.60
15x15x72	AWS2151572	616.00	AWM2151572	618.00	AWC2151572	648.70
15x18x72	AWS2151872	646.30	AWM2151872	648.30	AWC2151872	679.70
18x18x72	AWS2181872	698.60	AWM2181872	700.60	AWC2181872	731.95
Angle Iron All Welded Locker - Six Tier						
12x12x72	AWS6121272	607.80				
12x15x72	AWS6121572	647.00				
12x18x72	AWS6121872	673.95				
12x21x72	AWS6122172	704.85				
12x24x72	AWS6122472	728.55				
15x12x72	AWS6151272	686.80				
15x15x72	AWS6151572	709.60				
15x18x72	AWS6151872	733.75				
15x21x72	AWS6152172	782.30				
15x24x72	AWS6152472	833.20				



ASI STORAGE SOLUTIONS

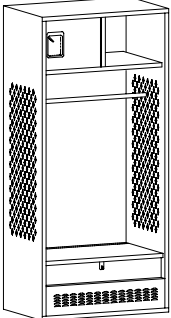
2171 Liberty Hill Road, Eastanollee, GA 30538

Phone: 706.827.2701

Fax: 706.827.2710

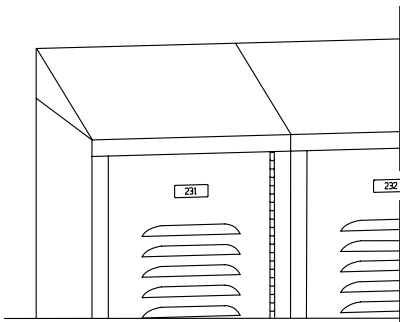
Website: www.asilockers.com

E-Mail: info@asilockers.com

Pro Collection 16 gauge frames, tops, bottoms, sides and shelves. PRICE BY UNIT	Size (Inches) W x D x H	Basic		with Security Box		with Foot Locker		with Security Box & Foot Locker		Wt. (lbs.)
		Model No.	Price	Model No.	Price	Model No.	Price	Model No.	Price	
Pro Collection										
	24x18x72	41241872	361.80	42241872	402.45	43241872	492.20	44241872	598.30	128
	24x21x72	41242172	383.10	42242172	424.65	43242172	523.55	44242172	629.75	140
	24x24x72	41242472	405.55	42242472	448.15	43242472	550.40	44242472	651.55	150
	33x18x72	41331872	471.85	42331872	538.60	43331872	650.65	44331872	799.15	155
	33x21x72	41332172	498.45	42332172	567.25	43332172	683.15	44332172	828.55	169
	33x24x72	41332472	526.80	42332472	597.60	43332472	716.55	44332472	857.85	180

INDIVIDUAL SLOPE TOPS

24 gauge - color to match lockers



Individual Slope Tops						
Size (Inches)			Model No.	Price	Wt. (lbs.)	
W	D	H				
12	12	4	511212	8.60	2	
12	15	5	511215	8.70	2	
12	18	6	511218	10.55	3	
15	15	5	511515	10.65	3	
15	18	6	511518	11.15	3	
18	18	6	511818	12.85	4	
18	24	7	511824	13.45	5	

Slope Top Triangles

Size (Inches)	Model No.	Price	Wt. (lbs.)
12	510012	3.65	1
15	510015	4.15	1
18	510018	5.25	1
21	510021	6.85	1
24	510024	7.90	1

Slope Hoods

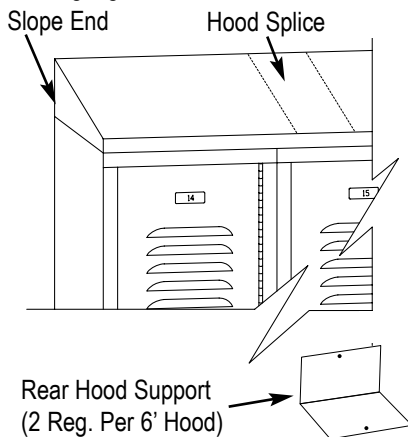
Size (Inches)			Model No.	Price	Wt. (lbs.)
W	D	H			
72	12	5	810012	63.90	16
72	15	6	810015	74.95	19
72	18	7	810018	84.50	22
72	21	8	810021	97.95	25
72	24	9	810024	107.75	28

Slope Ends

Size (Inches)		Model No. Left Hand	Model No. Right Hand	Price	Wt. (lbs.)
D	H				
12	5	810112	810212	7.15	1
15	6	810115	810215	8.05	1
18	7	810118	810218	8.70	1
21	8	810121	810221	9.45	2
24	9	810124	810224	10.20	2

CONTINUOUS SLOPE TOP

18 gauge - color to match lockers



Hood Splice

Size (Inches)	Model No.	Price	Wt. (lbs.)
12	810312	10.00	1
15	810315	10.75	1
18	810318	11.85	1
21	810321	12.85	2
24	810424	13.15	1

Universal Rear Support

Model No.	Price	Wt. (lbs.)
810400-G	4.50	1



ASI STORAGE SOLUTIONS

2171 Liberty Hill Road, Eastanollee, GA 30538

Phone: 706.827.2701

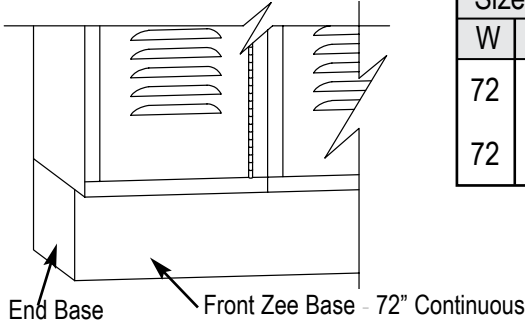
Fax: 706.827.2710

Website: www.asilockers.com

E-Mail: info@asilockers.com

ZEE BASES

14 gauge - color to match lockers



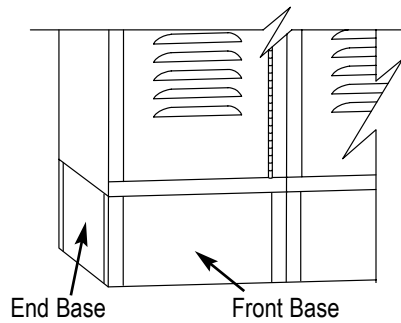
Front Zee Base					
Size (Inches)			Model No.	Price	Wt. (lbs.)
W	D	H			
72	-	4	747240	35.75	12
72	-	6	747260	49.25	12

Splice/End Zee Bases

Splice/End Zee Bases					
Size (Inches)			Model No.	Price	Wt. (lbs.)
W	D	H			
-	12	4	741240	14.90	1
-	15	4	741540	15.80	1
-	18	4	741840	17.10	2
-	21	4	742140	20.40	2
-	24	4	742440	21.40	2

FRONT BASE/CLOSED END BASE

18 gauge - color to match lockers



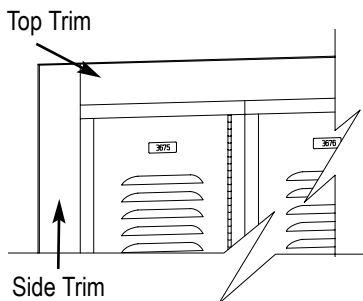
Front Bases					
Size (Inches)			Model No.	Price	Wt. (lbs.)
W	D	H			
12	-	6	711260	7.05	1
15	-	6	711560	8.05	1
18	-	6	711860	8.95	2
24	-	6	712460	10.65	2

End Bases

End Bases					
Size (Inches)			Model No.	Price	Wt. (lbs.)
W	D	H			
-	12	6	711261	9.85	1
-	15	6	711561	10.35	2
-	18	6	711861	11.70	2
-	21	6	712161	11.85	2
-	24	6	712461	13.25	2

RECESS TRIM

18 gauge - color to match lockers



Side Trim					
Size (Inches)		Model No. Left Hand	Model No. Right Hand	Price	Wt. (lbs.)
W	H				
3	63	611363	612363	21.95	4
3	69	611369	612369	27.45	5
3	75	611375	612375	24.30	6
3	81	611381	612381	29.80	7

Top Trim

Top Trim					
Size (Inches)			Model No.	Price	Wt. (lbs.)
W	D	H			
74	-	3	617403	23.20	6

Bottom Trim

Bottom Trim					
Size (Inches)			Model No.	Price	Wt. (lbs.)
W	D	H			
74	-	3	617401	20.15	6

16 Gauge Exposed Row End

Size (Inches)	Model No.	Price	Wt. (lbs.)
12x60	621260	37.90	12
15x60	621560	47.35	15
18x60	621860	56.95	18
21x60	622860	66.55	21
24x60	622460	76.95	24
12x72	621272	43.50	15
15x72	621572	52.90	18
18x72	621872	62.50	22
21x72	622172	73.30	25
24x72	622472	84.55	29

Outside Corner Splice

Outside Corner Splice					
Size (Inches)			Model No.	Price	Wt. (lbs.)
W	D	H			
2	2	3	610302	8.95	1

Splice

Splice					
Size (Inches)			Model No.	Price	Wt. (lbs.)
W	D	H			
2	-	3	610203	3.50	1



ASI STORAGE SOLUTIONS

2171 Liberty Hill Road, Eastanollee, GA 30538

Phone: 706.827.2701

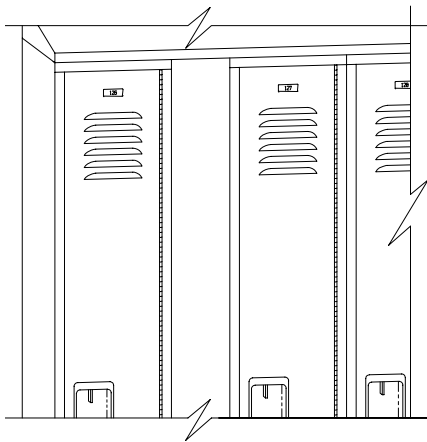
Fax: 706.827.2710

Website: www.asilockers.com

E-Mail: info@asilockers.com

VERTICAL FILLERS

20 gauge - color to match lockers



Vertical Fillers				
Size (Inches)		Model No.	Price	Wt. (lbs.)
W	H			
6	60	610660	17.95	5
6	66	610666	19.80	5
6	72	610672	21.65	7
6	78	610678	23.55	7
12	60	611260	33.65	8
12	66	611266	35.80	9
12	72	611272	37.90	10
12	78	611278	39.95	11

Wall Angle Slip Joints				
Size (Inches)		Model No.	Price	Wt. (lbs.)
W	H			
-	60	610060	17.75	3
-	66	610066	19.60	3
-	72	610072	21.75	4
-	78	610078	27.10	4

Flat Top Fillers				
Size (Inches)		Model No.	Price	Wt. (lbs.)
W	D			
8	12	610812F	4.70	1
8	15	610815F	5.50	1
8	18	610818F	6.35	2
8	21	610821F	8.00	2
8	24	610824F	8.95	2
15	12	611512F	7.10	2
15	15	611515F	10.40	3
15	18	611518F	14.85	3
15	21	611521F	19.95	4
15	24	611524F	25.55	4

Slope Top Fillers				
Size (Inches)		Model No.	Price	Wt. (lbs.)
W	D			
8	12	610812S	4.70	1
8	15	610815S	5.50	1
8	18	610818S	6.35	2
8	21	610821S	8.00	3
8	24	610824S	8.95	3
15	12	611512S	7.10	2
15	15	611515S	10.40	3
15	18	611518S	14.85	3
15	21	611521S	19.95	4
15	24	611524S	25.55	4

Flat Top Corner Fillers				
Size (Inches)		Model No.	Price	Wt. (lbs.)
W	D			
12	12	611212CF	11.90	2
15	15	611515CF	14.15	3
18	18	611818CF	19.95	4
21	21	612121CF	26.35	5
24	24	612424CF	34.20	6

Slope Top Corner Fillers				
Size (Inches)		Model No.	Price	Wt. (lbs.)
W	D			
12	12	611212CS	62.95	2
15	15	611515CS	65.25	3
18	18	611818CS	68.50	4
21	21	612121CS	89.55	5
24	24	612424CS	104.15	6



ASI STORAGE SOLUTIONS

2171 Liberty Hill Road, Eastanollee, GA 30538

Phone: 706.827.2701

Fax: 706.827.2710

Website: www.asilockers.com

E-Mail: info@asilockers.com

Built-In Combination Locks

904000	\$26.75	Master 1630 RH
904001	\$26.75	Master 1631 LH
904003	\$29.85	Master 1652 (SPL)

Combination Padlocks

904004	\$13.15	Master 1525
--------	---------	-------------

Touch-Up Paint

9080XX	\$10.00	.6 oz
9080XX-S	\$20.00	12 oz. SPRAY

In place of XX, insert color number required.

Built-In Key Locks

904005	\$26.35	Grooved Key Dead Bolt	1710RMK
904006	\$27.20	Grooved Key Spring Bolt	1714RMK
904007	\$6.70	Flat Key Dead Bolt with 2 Keys	
904008	\$9.30	Flat Key Dead Bolt with 4 Keys	
904009	\$9.65	Flat Key Dead Bolt Keyed Alike with 2 Keys	

Master Keys

904011	\$6.70	For 904000, 904001, 904003
904012	\$9.25	For 904004
904013	\$6.70	For 904005, 904006
904014	\$9.25	For 904007, 904008, 904009
904015	\$6.70	Extra Key For 904005, 904006
904016	\$6.70	Blank Key For 904007, 904008, 904009

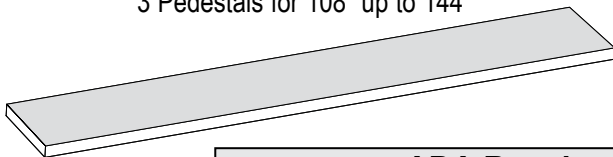
BENCHES

Hardwood, Coated Clear Lacquer. 9½" deep x 1¼" thick

Order Pedestals Separately

2 Pedestals for 96" and under

3 Pedestals for 108" up to 144"



ADA Bench

Length x Depth	Model No.	Price	Wt. (lbs.)	No. of Pedestals Required
48x12	9064802	143.55	22	2
72x12	9067202	212.10	30	2
96x12	9069602	282.65	40	2
48x24	9064804	298.40	50	4

Benches

Length (Inches)	Model No.	Price	Wt. (lbs.)	No. of Pedestals Required
36	9063600	75.05	13	2
48	9064800	99.50	16	2
60	9066000	124.30	20	2
72	9067200	149.05	24	2
84	9068400	175.20	29	2
96	9069600	195.45	32	2
108	9061080	237.20	38	3
120	9061200	267.60	42	3
132	9061320	315.40	46	3
144	9061440	343.80	50	3

PEDESTALS

Stainless Steel Pedestal

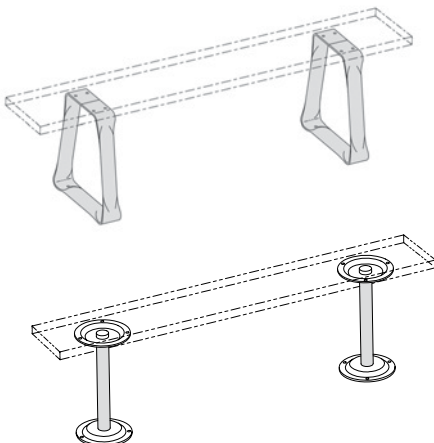
16 gauge, 2" diameter, trapezoid shape, 16¼" high

Model No. 9060002 Price \$101.55 Weight (lbs.) 6

Steel Tube Pedestal

10 gauge, 1½" diameter, 16¼" high, color to match lockers

Model No. 9060001 Price \$42.85 Weight (lbs.) 5





ASI STORAGE SOLUTIONS

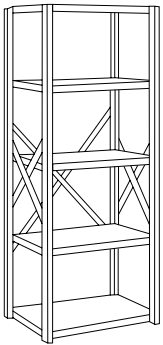
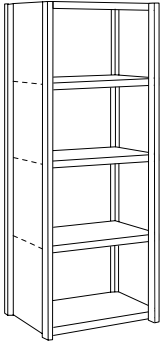
2171 Liberty Hill Road, Eastanollee, GA 30538

Phone: 706.827.2701

Fax: 706.827.2710

Website: www.asilockers.com

E-Mail: info@asilockers.com

Performance Plus Shelving	Performance Plus Shelving					
	Model No.	Size / Type (Inches) W x D x H	Price	Capacity (lbs.)	Wt. (lbs.)	
 <p>Open Design</p>	Open Design - High Performance					
	10361287BH-25	36X12X87 OPEN	180.75	600	91	
	10361887BH-25	36X18X87 OPEN	207.75	600	104	
	10362487BH-25	36X24X87 OPEN	234.60	400	113	
	10482487BH-25	48X24X87 OPEN	314.30	600	130	
	Open Design Conventional					
	10361287BC-25	36X12X87 OPEN	160.00	400	85	
	10361887BC-25	36X18X87 OPEN	198.00	400	90	
	10362487BC-25	36X24X87 OPEN	201.00	400	104	
	10482487BC-25	48X24X87 OPEN	255.00	250	115	
	 <p>Closed Design</p>	Closed Design High Performance				
		10361287CH-25	36X12X87 CLOSED	248.45	600	125
10361887CH-25		36X18X87 CLOSED	283.60	600	145	
10362487CH-25		36X24X87 CLOSED	318.15	400	161	
10482487CH-25		48X24X87 CLOSED	428.85	600	185	
Closed Design Conventional						
10361287CC-25		36X12X87 CLOSED	210.00	400	119	
10361887CC-25		36X18X87 CLOSED	227.00	400	131	
10362487CC-25		36X24X87 CLOSED	234.00	400	152	
10482487CC-25		48X24X87 CLOSED	269.00	250	185	



ASI STORAGE SOLUTIONS


2171 Liberty Hill Road, Eastanollee, GA 30538

Phone: 706.827.2701

Fax: 706.827.2710

Website: www.asilockers.com

E-Mail: info@asilockers.com

Shelving Accessories	Model No.	Size / Type (Inches) W x D x H	Price	Wt. (lbs.)	
	Shelf Heavy Duty				
 <p>Rear Offset Angle Post</p> <p>Front Boxed Post</p>	103612H-25	36X12	23.05	7	
	103618H-25	36X18	28.75	10	
	103624H-25	36X24	34.10	12	
	104824H-25	48X24	45.40	15	
	Shelf Standard				
	103612C-25	36X12	20.15	6	
	103618C-25	36X18	24.25	7	
	103624C-25	36X24	29.25	10	
104824C-25	48X24	45.05	12		
Post					
1087BP-25	ANGLE BACK POST GRY	15.00	9		
1087FP-25	BOX FRONT POST GRY	28.00	11		
Sway Braces Back					
105075SB-25	50 3/4 SB BACK GRY	6.90	1		
106550SB-25	65 1/2 SB BACK GRY	6.90	1		
Sway Braces Side					
1015SBS-25	15 SB SIDE GRY	3.50	0.70		
1026SBS-25	26 SB SIDE GRY	4.90	0.70		
1034SBS-25	34 SB SIDE GRY	5.75	0.70		



ASI STORAGE SOLUTIONS


2171 Liberty Hill Road, Eastanollee, GA 30538

Phone: 706.827.2701

Fax: 706.827.2710

Website: www.asilockers.com

E-Mail: info@asilockers.com

Shelving Accessories	Model No.	Size / Type (Inches) W x D x H	Price	Wt. (lbs.)
	Foot Plate			
	10FP-25	FOOT PLATE	2.75	0.20
Clips				
	10CH-25	CLIP HIGH PERFORMANCE	0.55	0.10
	10CC-25	CLIP CONVENTIONAL	0.50	0.10
Hardware Open Design				
 Shelf Clip	907030	8m x 2m zc plate shelving bolt	0.04	0.10
	907031	8m x 2 m zc plate shelving nut	0.02	0.10
Hardware Closed Design - Non-Stock				
	NON-STOCK			
Side				
	1012S-25	SIDE 12 GRY	15.60	7
	1018S-25	SIDE 18 GRY	21.00	11
	1024S-25	SIDE 24 GRY	30.00	14
Back				
	1036B-25	BACK 36 GRY	65.00	22
	1048B-25	BACK 48 GRY	101.00	29
Hardware Closed Design				
	907030	8m x 2m zc plate shelving bolt	0.04	0.10
	907031	8m x 2 m zc plate shelving nut	0.02	0.10

When your project requires faster service, we're faster...



48 HOURS
5 POPULAR COLORS
NO ADDED COST
Every one of these popular colors is available for shipment within 48 hours.
Ask for details.

Gray #25

Almond #03

Burgundy #49

Blue Frost #36

Mist Green #06

OTHER ASI PRODUCTS



For a complete line of commercial washroom accessories, ask for our updated 56-page catalog.



For public telephone and directory accommodations, order our full color catalog.

Guarantee: Products are guaranteed to be free from defects in workmanship and material for a period of one year from date of purchase. Any products returned under this guarantee will be repaired or replaced at no charge.

Illustrations and descriptions herein are applicable to production as of the date of this price list. The manufacturer reserves the right to make changes and improvements in designs and dimensions at any time.



ASI Storage Solutions
2171 Liberty Hill Road Eastanollee, GA 30538
Phone: 706.827.2701 Fax: 706.827.2710
E-Mail: info@asilockers.com Web: asilockers.com

Distributed by:

